

2.1 System with Wireless Receiver



Read this manual carefully to get the excellent acoustics from this unit

SAFETY INFORMATION

CAUTION RISK OF ELECTRIC SHOCK DO NOT OPEN

THE LIGHTNING FLASH WITH ARROWHEAD SYMBOL, WITHIN AN EQUILATERAL TRIANGLE, IS INTENDED TO ALERT THE USER TO THE PRESENCE OF UNINSULATED, "DANGEROUS VOLTAGE", WITHIN THE PRODUCTS ENCLOSURE THAT MAY BE OF SUFFICIENT MAANITUDE TO CONSTITUTE A RISK OF ELECTRIC SHOCK TO PERSONS.

THE EXCLAMATION POINT WITHIN AN EQUILATERAL TRIANGLE IS INTENDED TO ALERT THE USER TO THE PRESNECE OF IMPORTANT OPERATING AND MAINTENANCE (SERVICING) INSTRUCTIONS IN THE LITERATURE ACCOMPANYING THE APPLIANCE.

Safety precautions

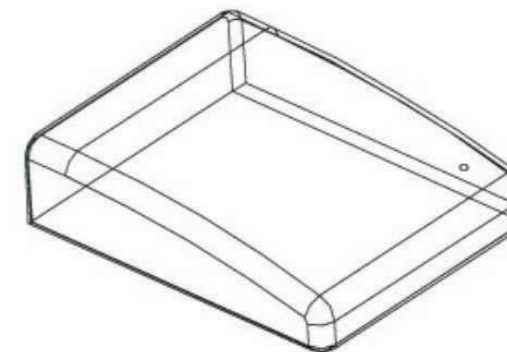
Warning: TO PREVENT FIRE OF ELECTRIC SHOCK, DON'T EXPOSE THIS APPLIANCE TO RAIN OF MOISTURE.

IMPORTANT SAFEGUARDS

Caution: please read carefully all the following important safeguard to ensure safe operation.

1. Read instructions-all the safety and operating instruction should be read before the appliance is operated.
2. Retain instructions-the safety and operating instructions should be retained for future reference.
3. Follow instructions-all operating instructions should be followed.
4. Heed warnings-all warnings on the appliance and in the operating instructions should be adhered to.
5. Power source- the appliance should be connected to a power supply only of the type specified in the operating instructions or as marked on the appliance.
6. Power cord protection- power supply cords should be routed so that they are not likely to be walked on or pinched by items placed upon or against them, pay particular attention to cords at plugs, convenience receptacles, and the point where they exit from the appliance,
7. Water and moisture- the appliance should not be used near water(for example, near a bathtub, washbowl, kitchen sink, laundry tub, in a wet basement, or near a swimming pool, etc.)
8. Ventilation- the appliance should be situated so that its location or position does not interfere with its proper ventilation. Do not use the appliance on a bed, sofa, rug or similar surface that may block the ventilation openings.
9. Heat- keep the appliance away from heat sources such as radiators, heat registers, stoves or other appliances (including amplifiers) that produce heat.
10. Nonuse periods- the power cord of the appliance should be unplugged from the outlet when left unused for a long period of time.
11. Damage requiring service- the appliance should be serviced by qualified service personnel when
 - A/ the power-supply cord or the plug has been damage; or
 - B/ objects have fallen or liquid has been spilled into the appliance; or
 - C/ the appliance has been exposed to rain; or
 - D/ the appliance does not appear to operate normally or exhibits a marked change in performance; or
 - E/ the appliance have been dropped, or the enclosure damaged.
12. Servicing- the user should not attempt to service the appliance beyond that specified in the operating instructions. All other servicing should be referred to qualified service personnel.
13. Clean only with dry cloth.
14. Unplug this apparatus during lightning storms or when unused for long period of time.

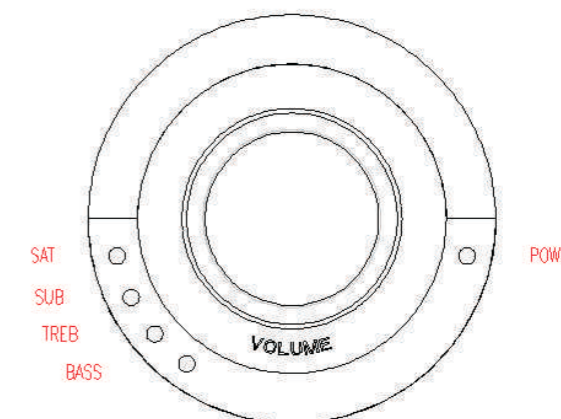
TX box



REMARKS:

1. 9V transformer
2. Transmitter- Receiving and sending music signal;
3. LED will light up when TX BOX receives music signal from PC, without signal input LED will be turned off and TX BOX will be in power save mode.

FRONT PANEL (SUB) CONTROLS AND FUNCTIONS



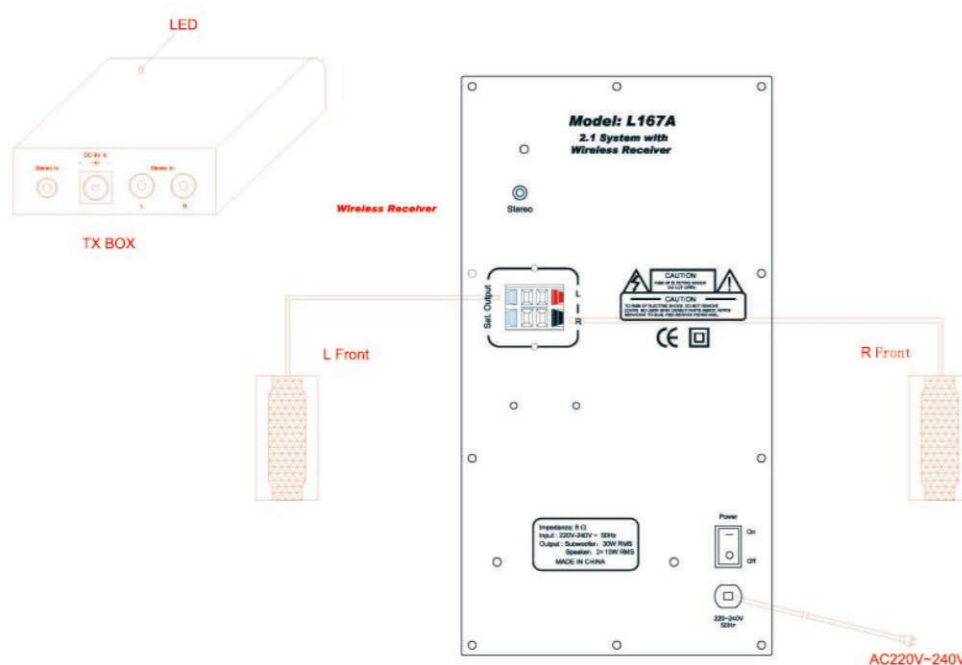
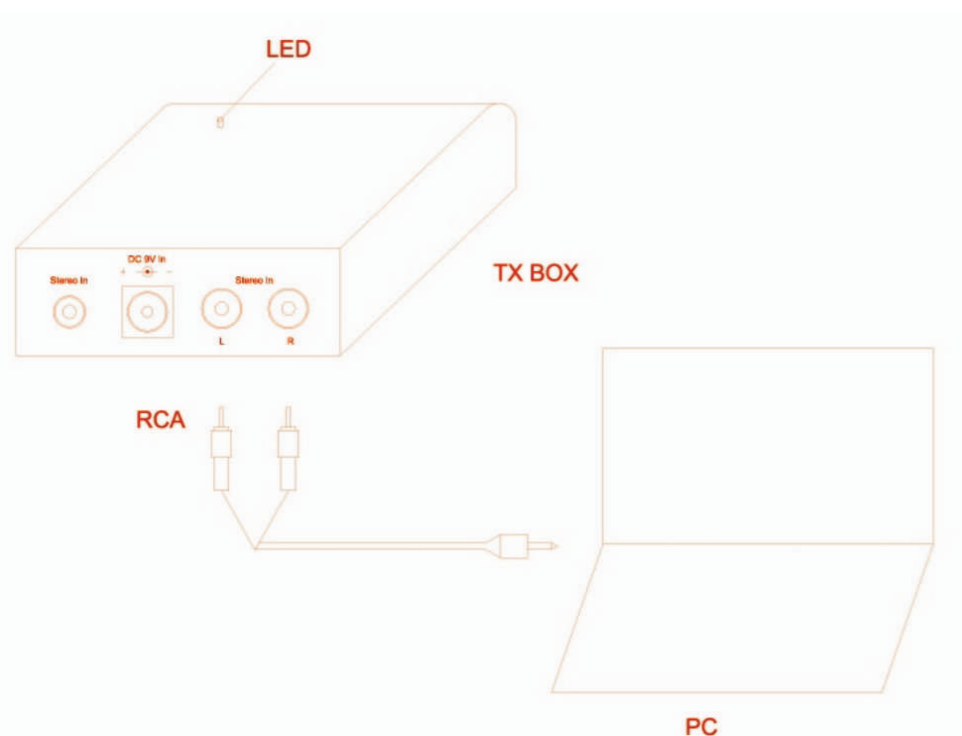
LED INDICATORS:

- The first left LED Sat Volume indicator
- The second left LED Sub Volume indicator
- The third left LED System treble indicator
- The fourth left LED System bass indicator
- The right LED power indicator

➡ Continues on the next page

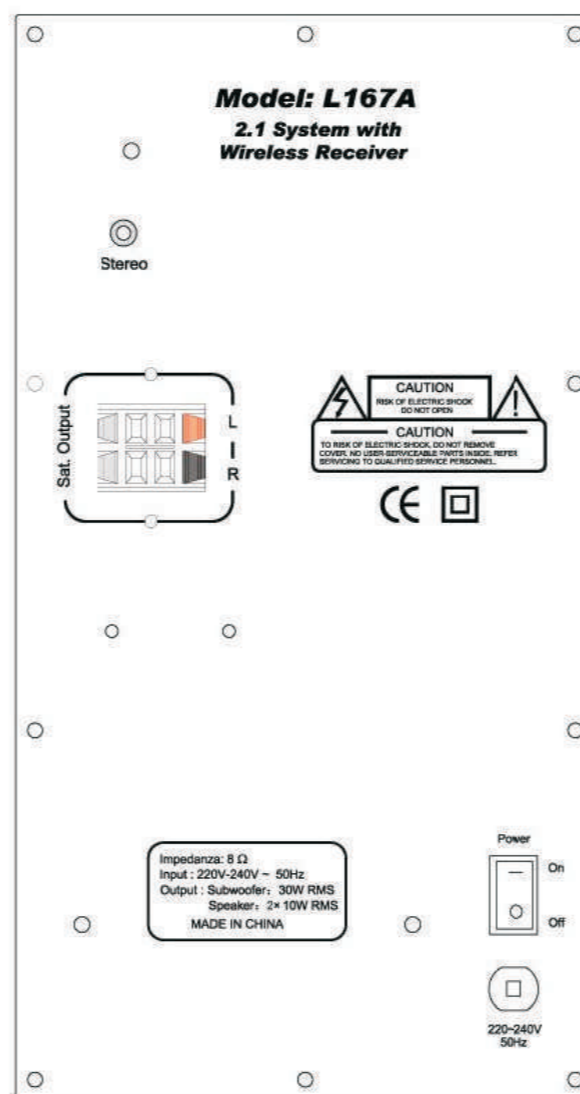
INSTRUCTION MANUAL L167A

SYSTEM CONNECTION A



Remarks:
 1. Connect the PC and TX BOX using 3.5mm stereo plug.
 2. TX BOX receives music signal from PC and sends to Subwoofer receiver via 864MHz transmitter (The Subwoofer must be switched on and activated).

SYSTEM CONNECTION B



2.1 Système de Réception sans fil

Remarks:
 A. The system can be connected to PC directly via Stereo plug, without using TX BOX.

OPERATING INSTRUCTION

A. Switch On The Product
 1. Before turning on the system, please connect it according to the System Connection Instruction.
 2. Connect AC power supply with this product. (Caution Power source must be consistent with product).
 3. Turn the POWER switch on the rear panel into ON position and the power indicator on front panel will light up (RED color). The speaker system will be in the stand by mode. Please Press the central volume button one more time, and the speaker system will be activated.

B. VOLUME Control

you can adjust the volume by volume button. Turn the Main Volume Indicator in the front panel of the subwoofer clockwise or anticlockwise, you can add or decrease the volume.

You also can adjust the volume for Satellite Speakers, Subwoofer, and Treble/Bass level separately. Press Volume Button one more time after power on, the SAT indicator will light up and you can adjust the Satellite speaker volume as the same of the system volume adjustment. Press one more time, the SUB indicator will light up. Next, the TREB and BASS indicator will light up. You can adjust speaker volume and Treble/Bass level when the own indicator lights up.

C. Switch Off The Product

1. Press the volume button and hold at least 2 second, the speaker system will go to stand by mode. The volume set for each speaker will be memorized.
 2. If you want to turn this system off completely, please simply turn the Power switch into OFF position.

TROUBLE SHOOTING

1. NO OUTPUT

1) Check whether the system is connected correctly.
 2) Check whether the system is activated. Adjust is accordingly.

2. SUBWOOFER SILENT

1) Check whether the system is connected correctly.
 2) Check whether the playing program is not having low frequency. Change the program accordingly.
 3) Check whether any improper function of Fader. Adjust it accordingly.

3. LEFT SPEAKER SILENT

1) Check whether the system is connected correctly with the Left speaker.

4. RIGHT SPEAKER SILENT

1) Check whether the system is connected correctly with the Right speaker.

SPECIFICATIONS

1. Power Supply: AC 230V/50Hz
2. Power consumption: 50W
3. Input sensitivity: 500mV
4. S/N: >.86dB
5. Subwoofer rated power output: 30W RMS
6. Main channel rated power output: 2*10W RMS
7. THD amplifier: <.0.5%
8. Frequency response: 50~20 KHz jA5dB
9. L/R Sep: 50dB(1KHz)
10. L/R Balance: jA2dB(1KHz)
11. Size of subwoofer: 170W×300H×330D.(mm)
12. Size of Sat: 90W×140H×102D(mm)
13. Wireless box: 95W×30H×120 D(mm)
14. Net weight: 6.4k